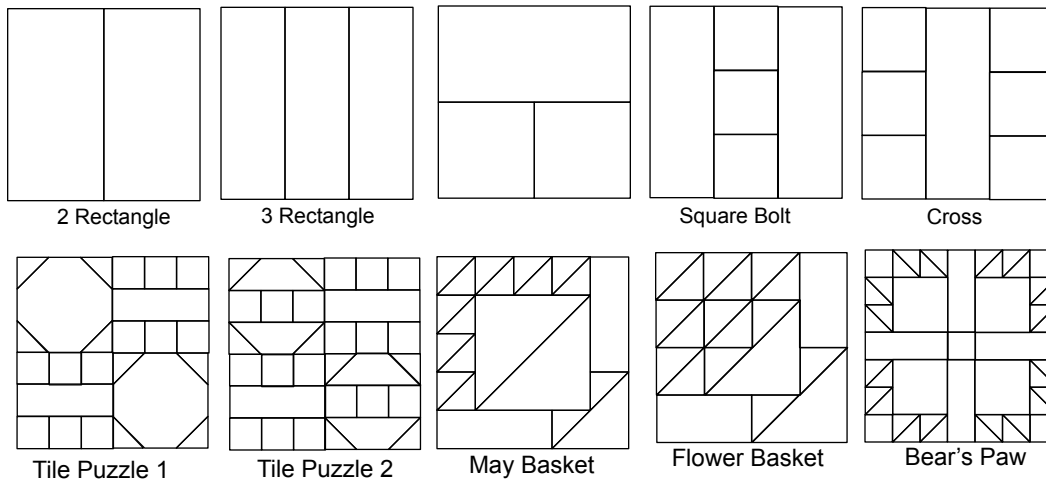


RECTANGLES for BLOCKS

Shape sizes are from 1 to 6 inches. Widths for RECTs are 1, 1.5, 2, 2.5, and 3 inches. Widths for 2RECTs are 1, 1.5, and 2 inch. See specific sizes on the following pages. If a block requires a rectangle larger than 6 inches, use the Rectangles for SETTINGS set.

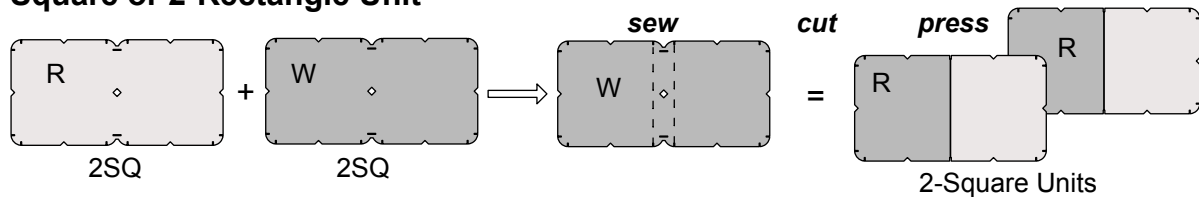
Examples of Units and Blocks with Rectangles:



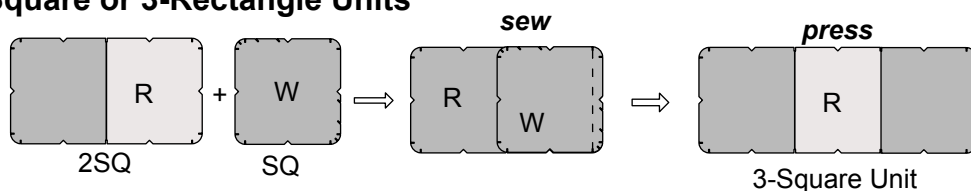
Sewing Compound Squares and Rectangles



2-Square or 2-Rectangle Unit



3-Square or 3-Rectangle Units

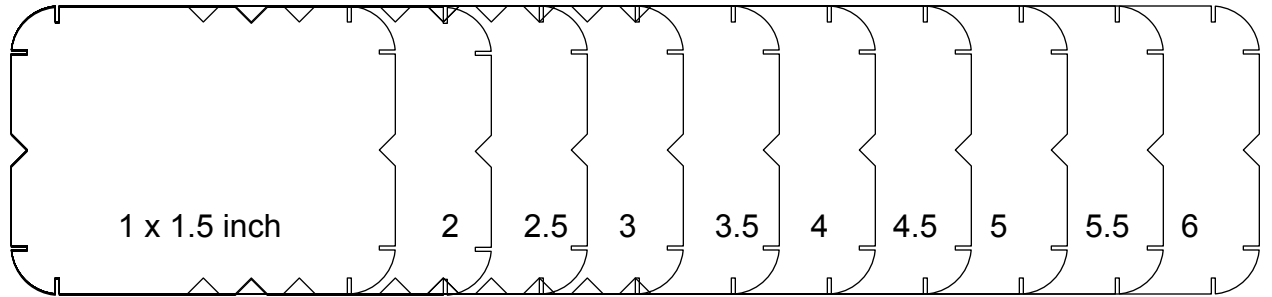


Rectangles for BLOCKS

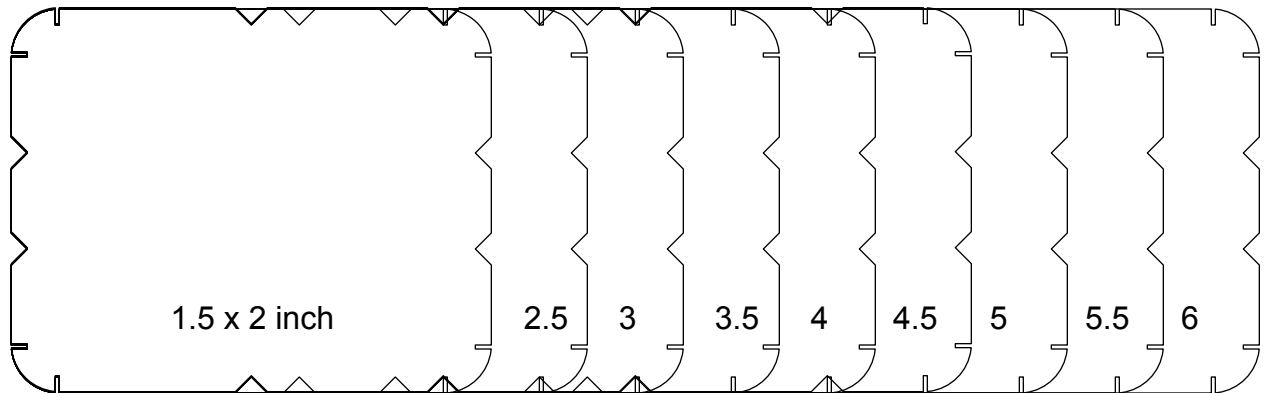
Shapes are True to Size

Set Printer Scale to 100% to get an accurate representation of the shapes.

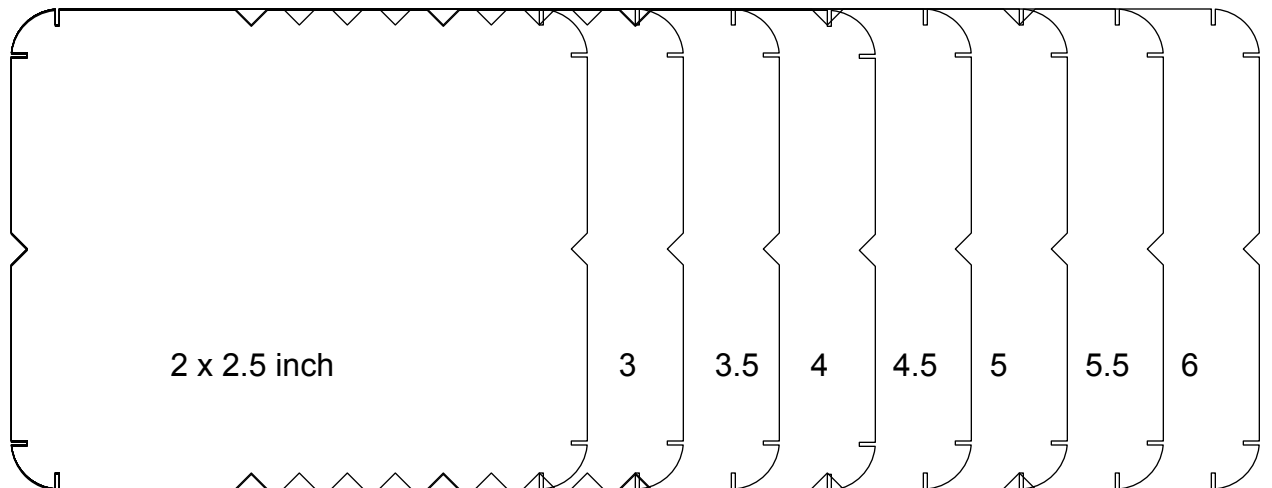
RECT
1 inch wide



1.5 inch wide



2 inch wide



Sizes noted are the finished size after sewing. A 1/4 inch seam allowance has been added to each shape.

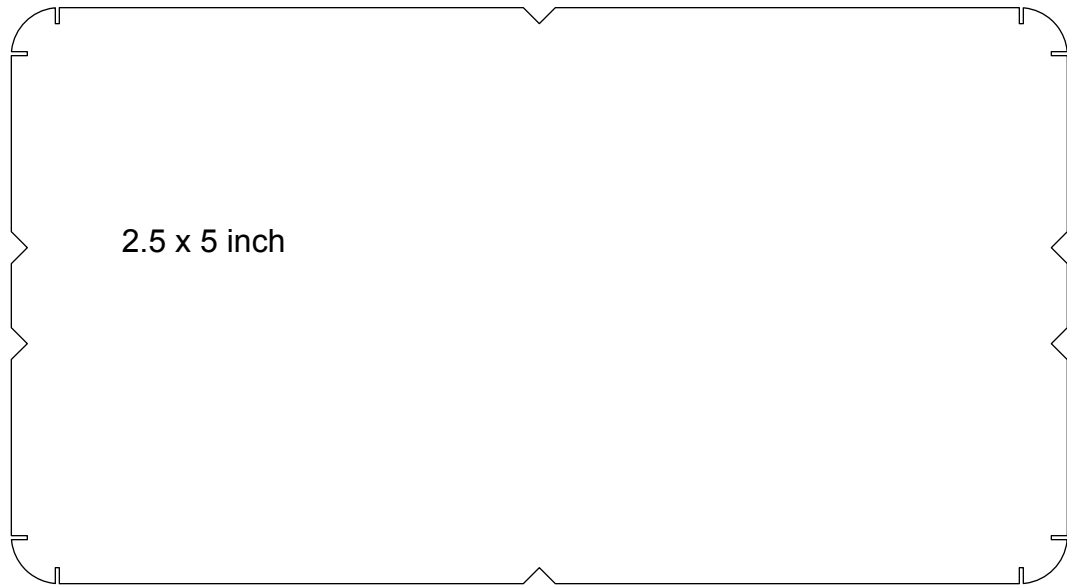
Rectangles for BLOCKS

Shapes are True to Size

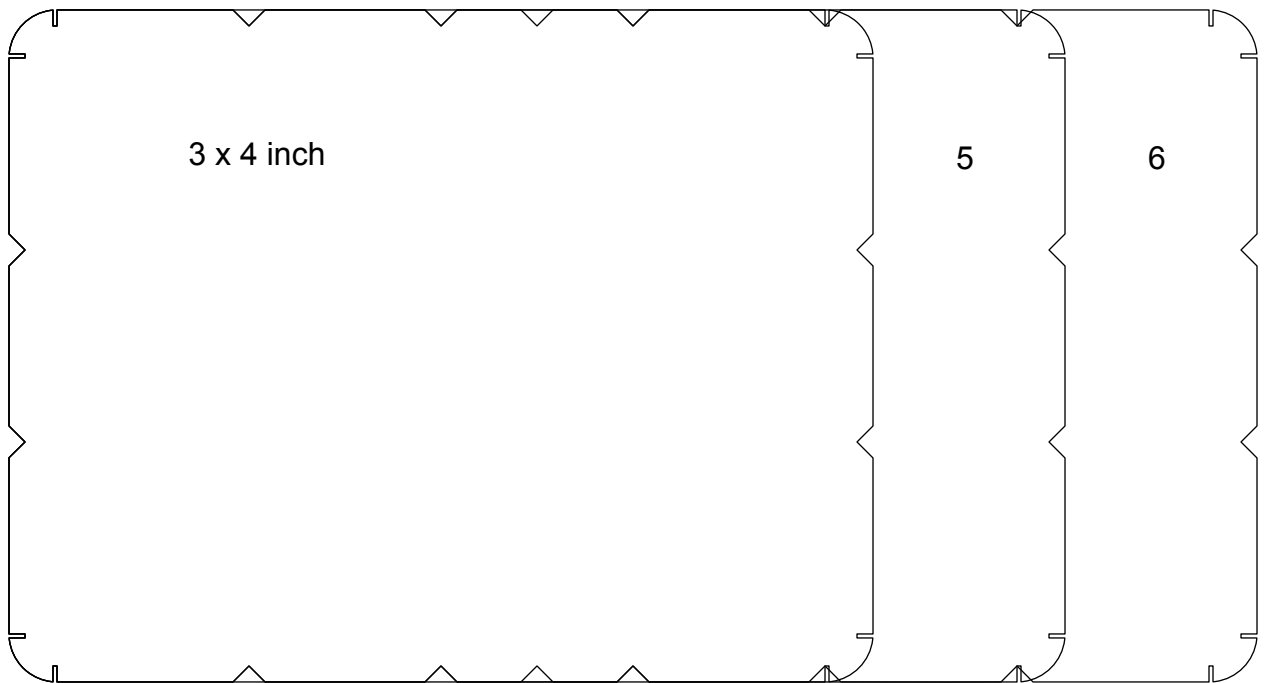
Set Printer Scale to 100% to get an accurate representation of the shapes.

RECT

2.5 inch wide



3 inch wide



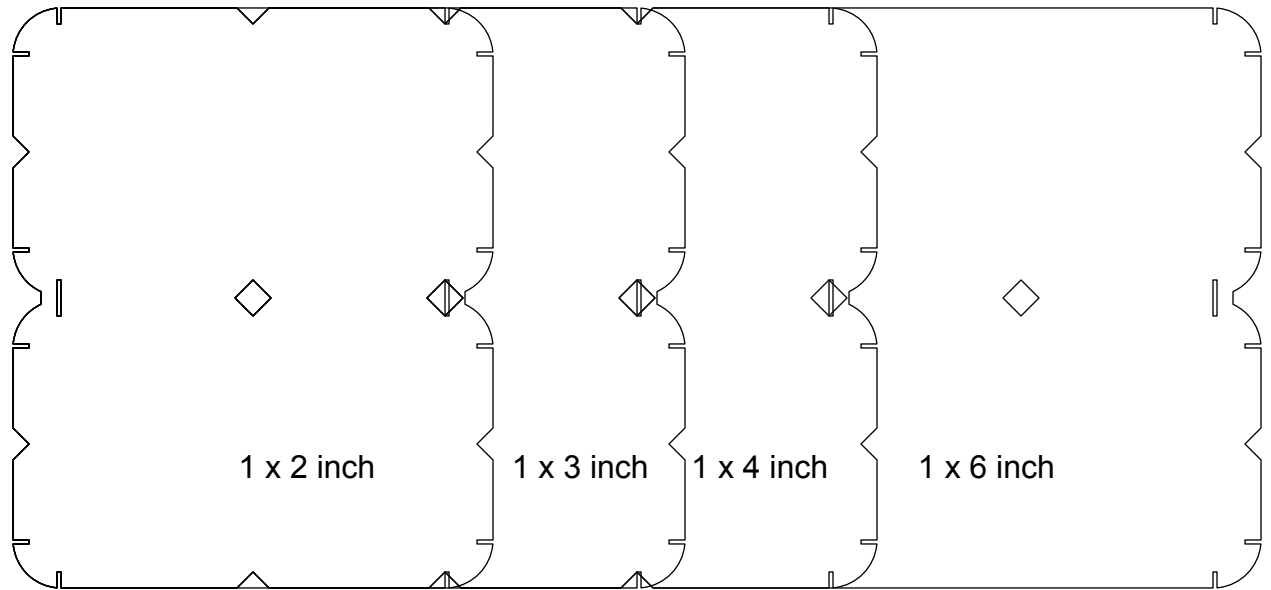
Sizes noted are the size after sewing. A 1/4 inch seam allowance has been added to each shape.

Compound 2-Rectangles for BLOCKS

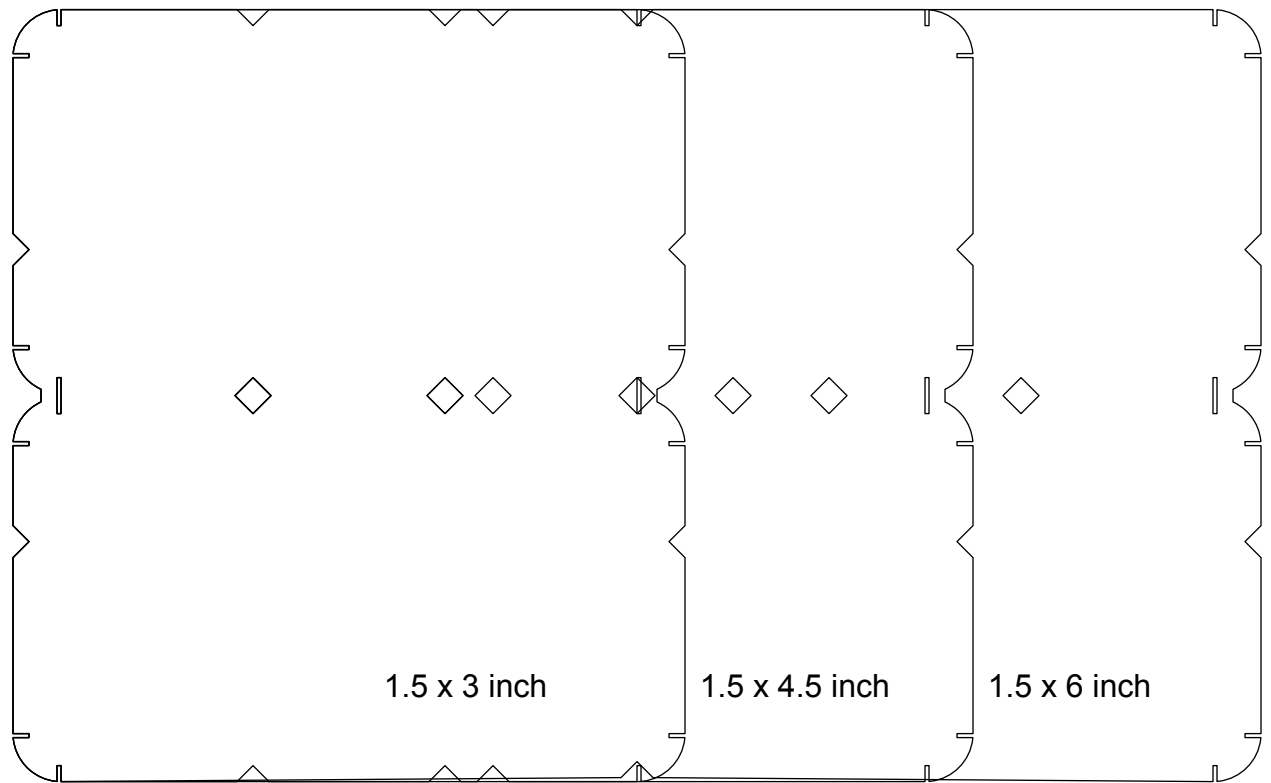
Shapes are True to Size

Set Printer Scale to 100% to get an accurate representation of the shapes.

2RECT
1 inch wide



2RECT
1.5 inch wide



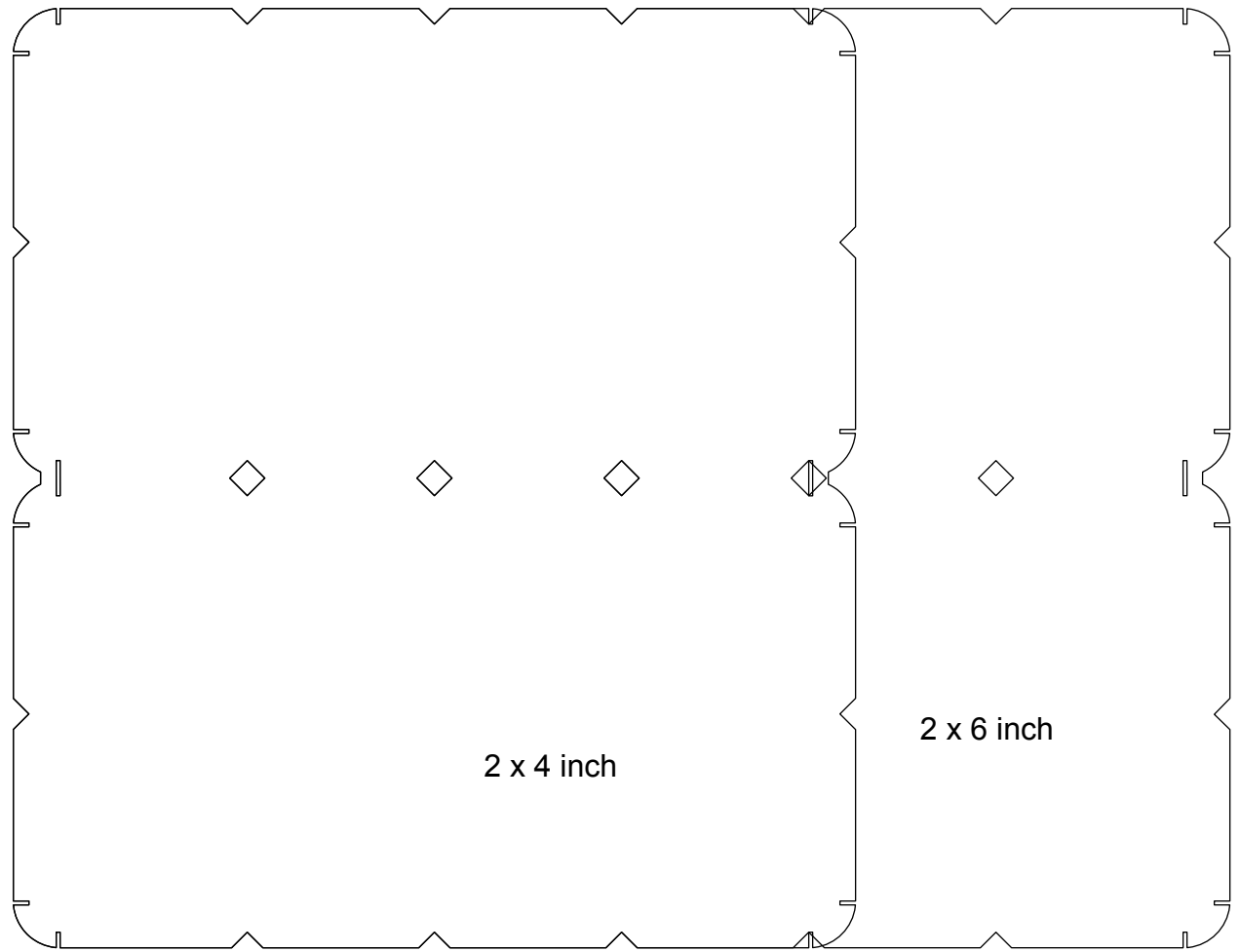
Sizes noted are the finished size after sewing. A 1/4 inch seam allowance has been added to each shape.

Compound 2-Rectangles for BLOCKS

Shapes are True to Size

Set Printer Scale to 100% to get an accurate representation of the shapes.

2RECT
2 inch wide



Sizes noted are the finished size after sewing. A 1/4 inch seam allowance has been added to each shape.